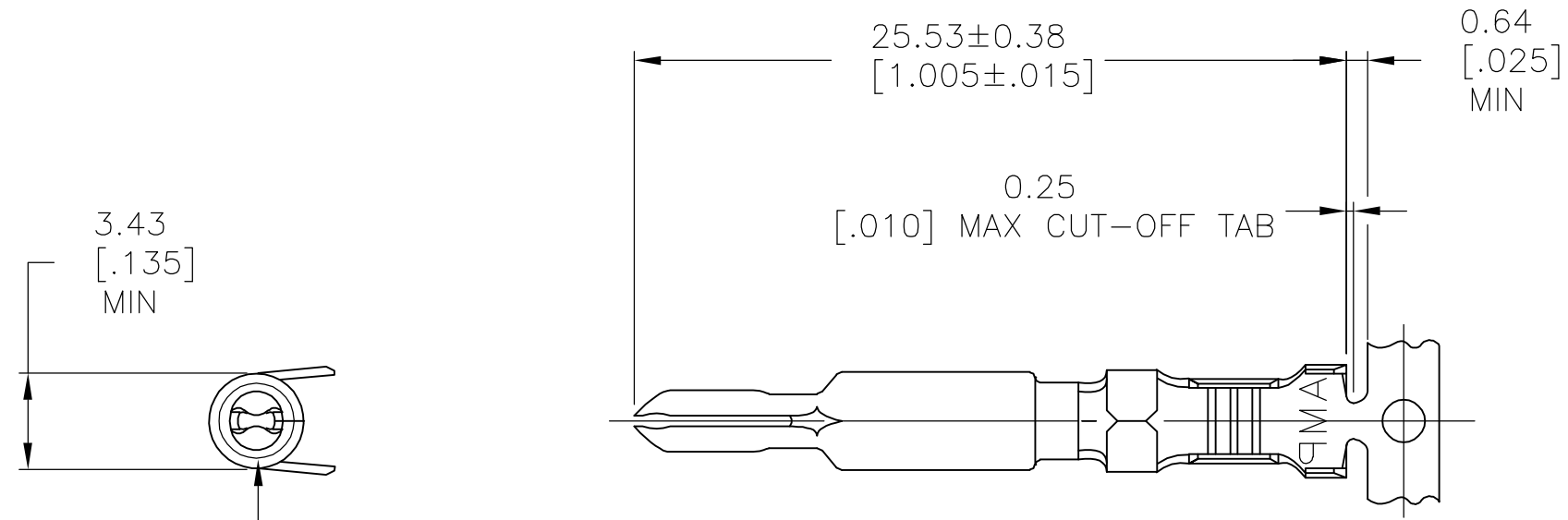


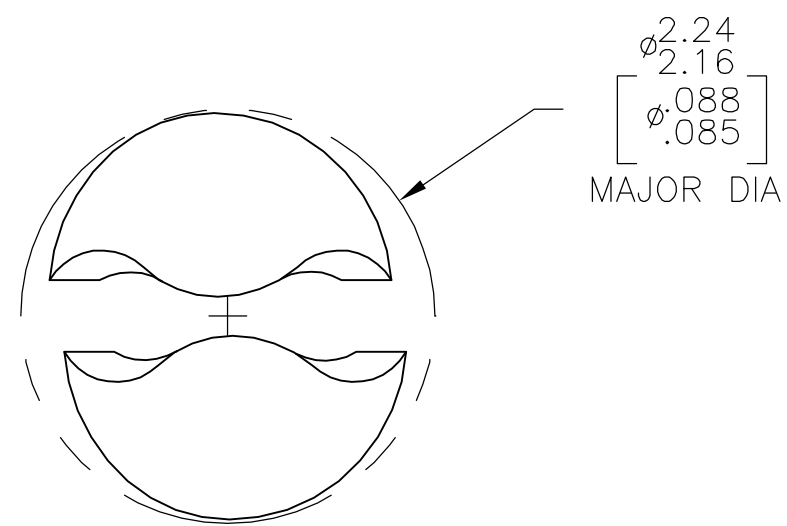
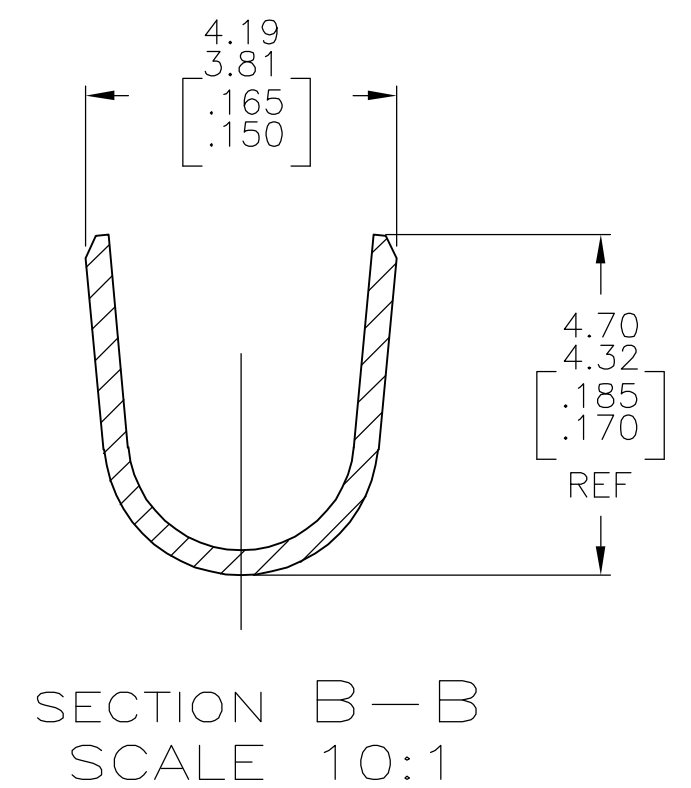
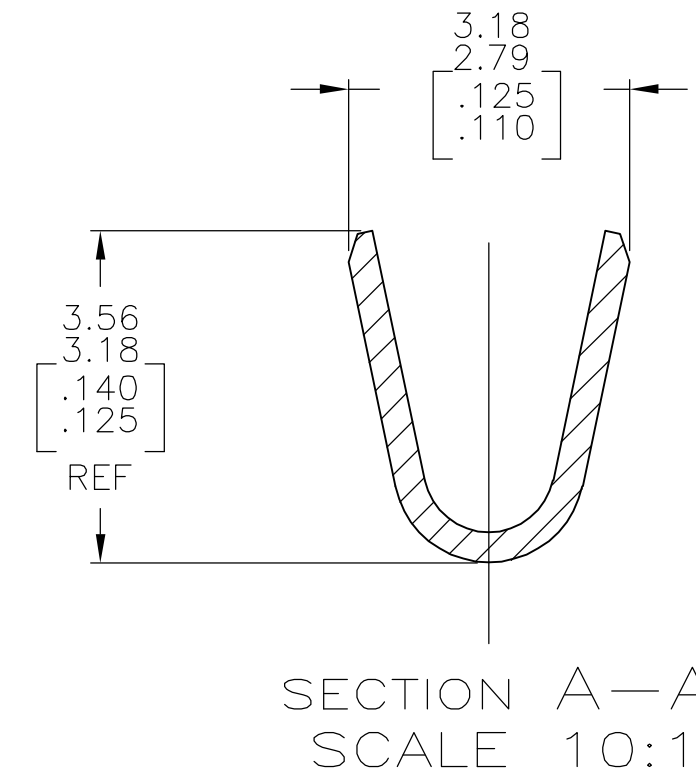
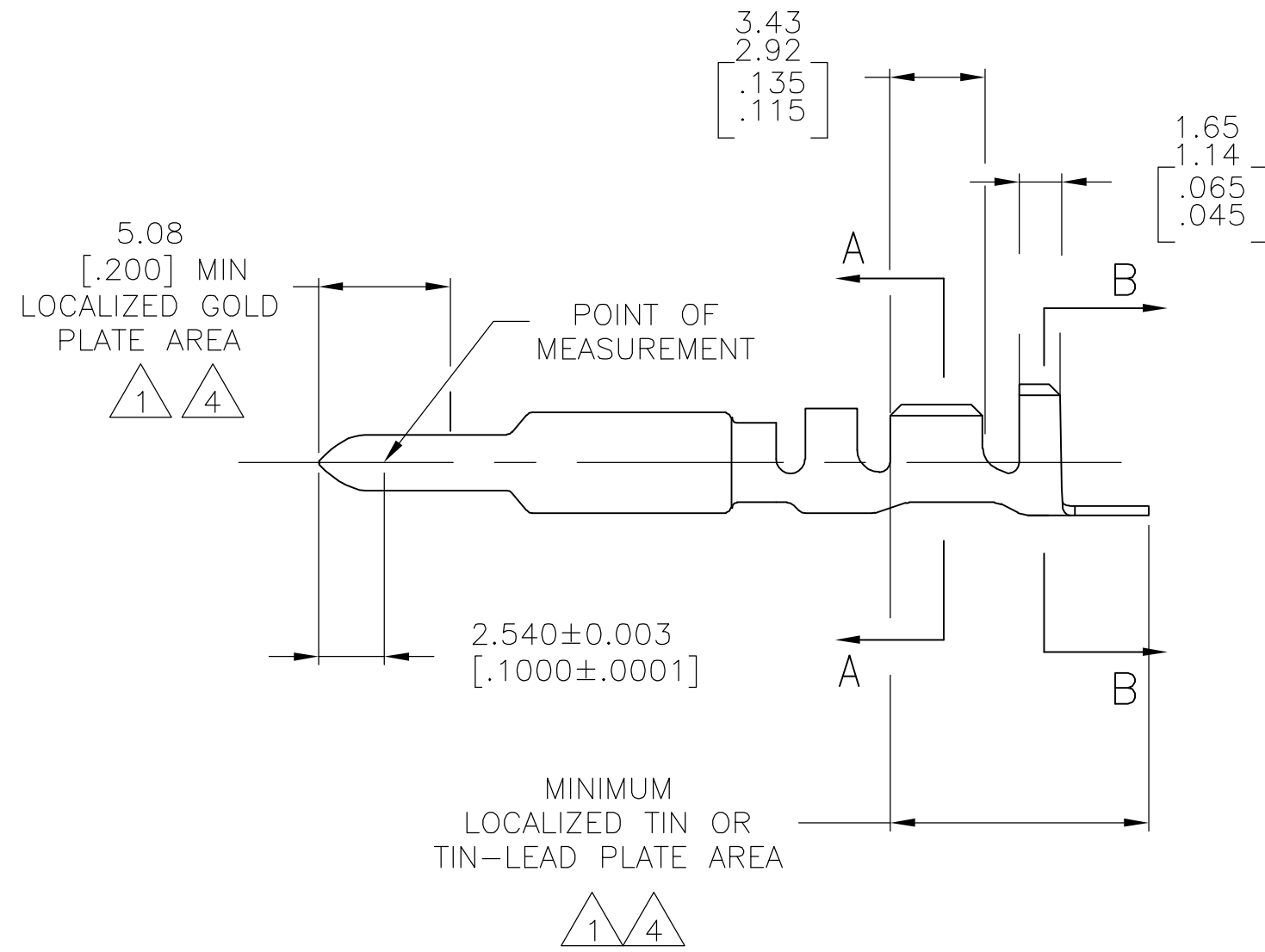
THIS DRAWING IS UNPUBLISHED. RELEASED FOR PUBLICATION
 © COPYRIGHT BY TYCO ELECTRONICS CORPORATION. ALL RIGHTS RESERVED.

LOC	DIST	REVISIONS					
CM	00	P	LTR	DESCRIPTION	DATE	DWN	APVD
		F		EC 0G3B 0215 05	21SEP05	BSV	RCJ



SEE DETAIL A

- 1 0.00076[.000030] MIN GOLD AT POINT OF MEASUREMENT IN THE LOCALIZED GOLD PLATE AREA, 0.00127[.000050] MIN TIN-LEAD IN TIN-LEAD PLATE AREA, 0.00127[.000050] MIN NICKEL UNDERPLATE ON ENTIRE CONTACT.
- 2. WIRE RANGE: 0.5-2mm² [20-14 AWG] INSULATION RANGE: 1.52-3.30 [.060-.130] DIA.
- 3. DIMENSIONS IN BRACKETS ARE IN INCHES.
- 4 0.00076[.000030] MIN GOLD AT POINT OF MEASUREMENT IN THE LOCALIZED GOLD PLATE AREA, 0.00127[.000050] MIN TIN IN TIN PLATE AREA, 0.00127[.000050] MIN NICKEL UNDERPLATE ON ENTIRE CONTACT.



DETAIL A
SCALE 20:1

METRIC

FINISH	MATERIAL	PART NUMBER
GOLD 4	0.30 [.012] BRASS	1-770007-0
GOLD 4	0.30 [.012] BRASS	770007-2
PRE-TIN	0.30 [.012] BRASS	770007-1

THIS DRAWING IS A CONTROLLED DOCUMENT.		DWN S. CARPENTER 20MAY03	tyco Electronics Tyco Electronics Corporation Harrisburg, PA 17105-3608	
DIMENSIONS: mm [INCHES]		CHK C. JONES 20MAY03	NAME	
TOLERANCES UNLESS OTHERWISE SPECIFIED: 0 PLC ± - 1 PLC ± - 2 PLC ± - 3 PLC ± - 4 PLC ± - ANGLES ± - FINISH		APVD C. JONES 20MAY03	PRODUCT SPEC	
MATERIAL SEE TABLE		APPLICATION SPEC	PIN, UNIVERSAL MATE-N-LOK(TM) II	
WEIGHT -		SIZE A2	CAGE CODE 00779	DRAWING NO C=770007
CUSTOMER DRAWING		RESTRICTED TO	SCALE 4:1	SHEET 1 of 1
		REV F		